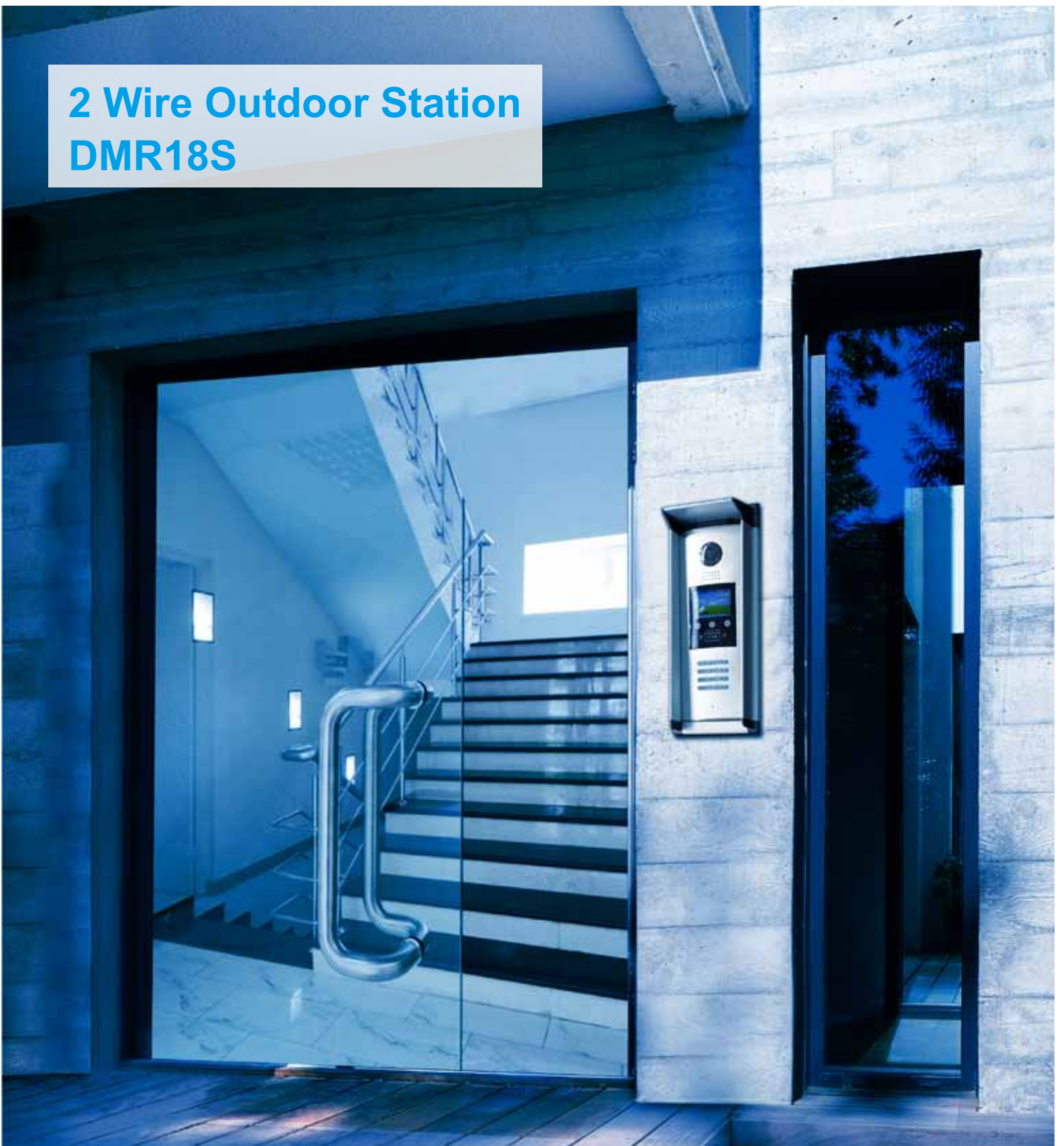


## 2 Wire Outdoor Station DMR18S



**V-TCK**

Effective Solution to Security Needs

# DMR18S



## Other Features:

- New menu-structure design
- Synthesis language reminder
- Large capacity(max.128 apartments via BDU)
- Name list display

The DMR18S is upgraded from DMR18,The module supports either surface mounted or flush mounted,it provides one more choice for users.

The 3.5 inch screen with user interface makes the settings more convenient and humanitarian,and it is so easy to update the user interface at any time,just with one SD card.

Once the door code is entered,just press the keypad to call the house ,it's user-friendly and intuitive.

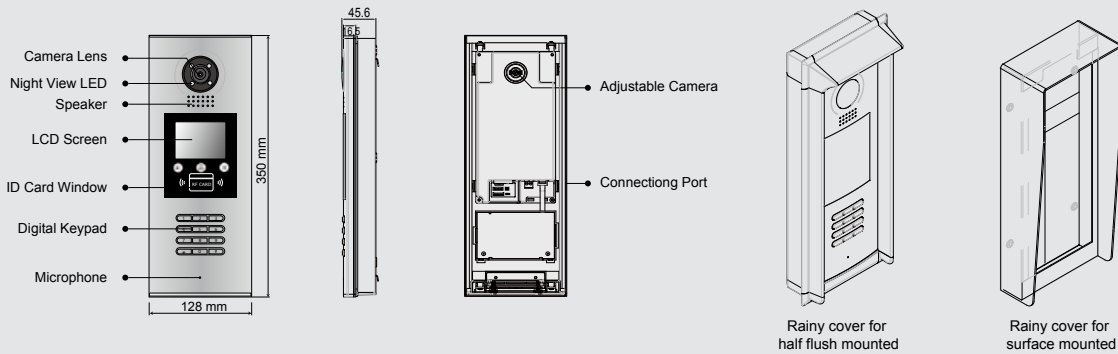


Touch navigation buttons

Full aluminium alloy panel

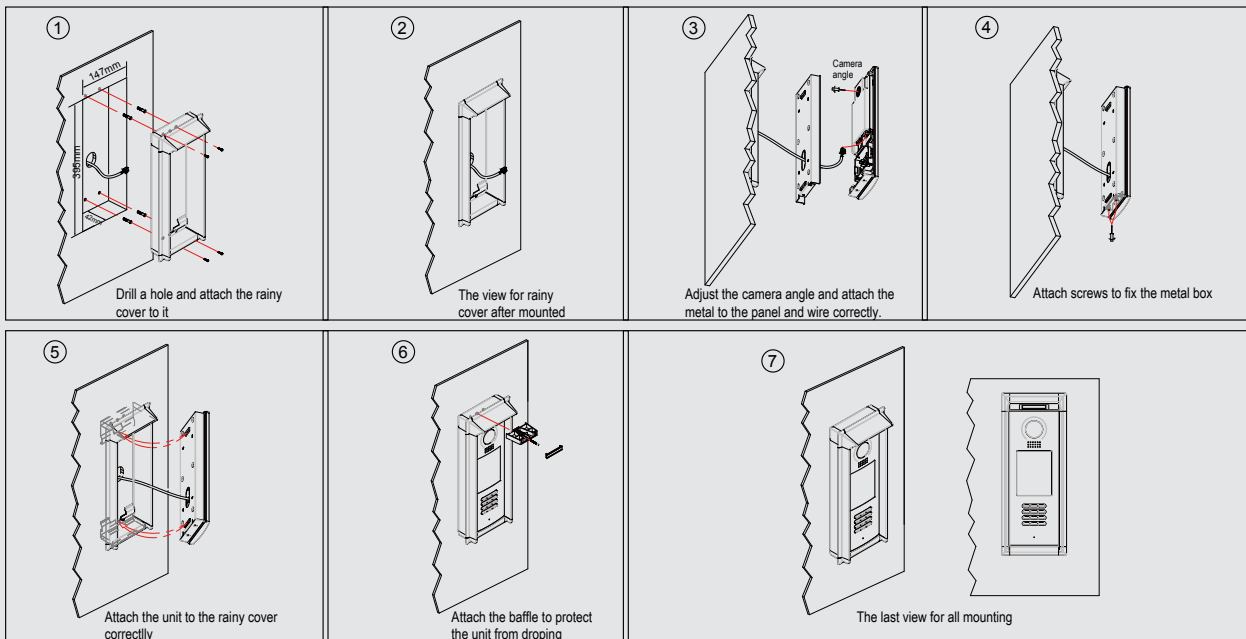
Rainy cover for half flush mounted

## DIMENSION



Unit:mm

## MOUNTING(the following graphic just shown the flush mounted)



## SPECIFICATION

Power supply:	DC24V
Camera Lens:	1/4 ACS 4T image sensor with DSP processor
Power consumption:	Standby 160W;Working status 450W
Screen:	3.5 inch TFT
Resolution:	320(R, G, B)X240 pixels
Video signal:	CCIR/EIA Optional
Dimension:	350(H)×128(W)×46(D)mm



**Guangzhou Video-Tech Electronics Co., Ltd**

F6/No.7 building ,Huangzhou Industrial Area,  
Chebei Road,TianHe district,Guangzhou, China  
Phone +86 / 20 / 38261205  
Fax +86 / 20 / 38628806



www.v-tec.cn